

Non-Fused

Class I, Div 2, Groups B,C,D

Class II, Div 1 and 2, Groups F,G

Class III

Class I, Zone 1, AEx de IIC, T3, IP66

NEMA 3,3R,4,4X,12

Fused

Class I, Div 2, Groups B,C,D

Class II, Div 1 and 2, Groups F,G

Class III

Class I, Zone 2, Group IIC, T3, IP66

NEMA 3,3R,4,4X,12

MD2DS Series Disconnect Switch

Factory sealed; No external seals required.

Applications

- Functions as load disconnect switch or as individual motor control switch.

Features

- Factory Sealed; No external seals required.
- Available in fused and unfused versions.
- Stainless steel captive cover bolts for easy access and corrosion resistance.
- Standard epoxy powder coating inside and outside delivers exceptional corrosion resistance.
- Insulated, dual-color polymer operating handle clearly indicates the switch being energized. Ergonomically de-signed handle is made of high-impact polymer material for exceptional ruggedness, durability and corrosion resistance.
- Removable hinged cover allows for ease of installation and maintenance.
- Short circuit withstand rated to 200,000 RMS symmetrical amperes (Class J fusing).
- Short circuit withstand rated to 10,000 RMS symmetrical amperes (unfused).
- Use Class J fusing on fused units.
- Conduit entry is drilled and tapped to 1-1/2". Reducer bushings 1-1/2"-1-1/4" and 1-1/2"-1" provided at no additional cost.
- Stainless Steel key-hole mounting feet for easy installation.
- Unit is equipped with defeatable door interlock which allows emergency access when switch is energized.
- Cover can be padlocked closed.
- Operating handle can be locked in the OFF position with provision to lock in the ON position.
- Line side accommodates #8-#4/0 AWG copper wire. Load side unfused accommodates #8-#4/0 AWG copper wire. Load side 30A fused accommodates #14-#6 AWG copper wire. Load side 60A fused accommodates #14-#2 AWG copper wire. Load side 100A fused accommodates #12-#2/0 AWG copper wire.



Standard Materials/Finishes

- Enclosure- copper-free aluminum with epoxy powder coating inside and outside.
- Operating handle- High impact polymer.
- Hardware- Stainless Steel.

Options

- One normally opened, one normally closed auxiliary switch, add suffix **-AUX**.

Compliances

- UL Listed
- UL Standard 894, 50, 98

N-38

Non-Fused
 Class I, Div 2, Groups B,C,D
 Class II, Div 1 and 2, Groups F,G
 Class III
 Class I, Zone 1, AEx de IIC, T3, IP66
 NEMA 3,3R,4,4X,12

Fused
 Class I, Div 2, Groups B,C,D
 Class II, Div 1 and 2, Groups F,G
 Class III
 Class I, Zone 2, Group IIC, T3, IP66
 NEMA 3,3R,4,4X,12

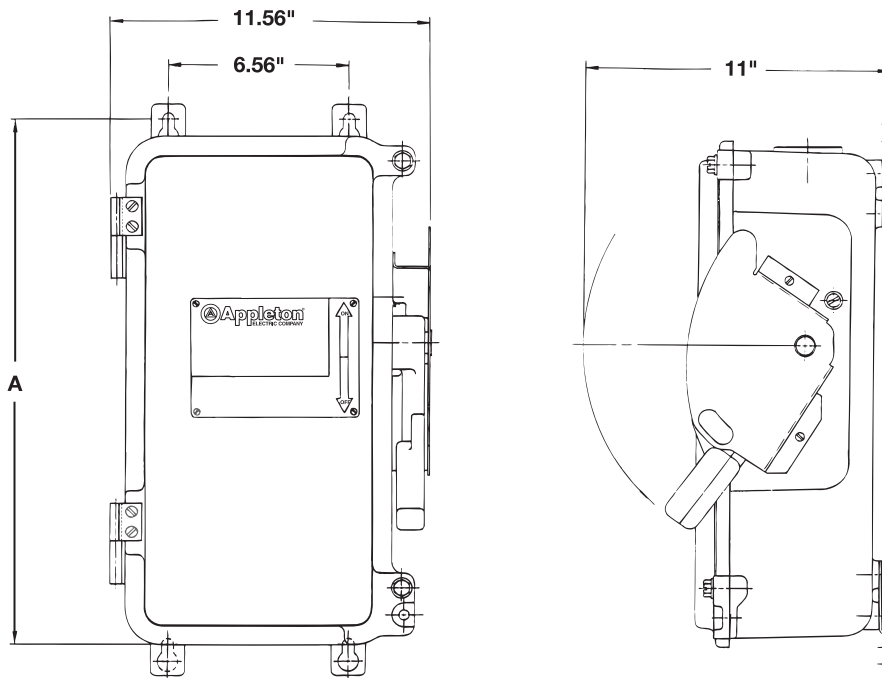
MD2DS Series Disconnect Switch

Factory sealed; No external seals required.

Amps	Fusing	Max HP	Dimension A (inches)	Catalog Number
30	Fused	20 HP @ 600VAC	19.25	MD2DS3034F
60	Fused	50 HP @ 600VAC	19.25	MD2DS6034F
100	Non-Fused	50 HP @ 600VAC	19.25	MD2DS1034U
100	Fused	50 HP @ 600VAC	22.88	MD2DS1034F

† Fuses not included in fused units.

MD2DS Disconnect Switch Dimensional Drawings



Operating Temperatures

Classification	Fused	Unfused
Class I, Div. 2	T3C	T3C
Class I, Zone 1	—	T3
Class I, Zone 2	T3	—
Class II, Div. 1 and 2	T6	T6

N